

3G GPS tracker QH-GP3G



QH- GP3G

Key Features

- Extra-wide working voltage
- GPS continuous positioning and GPRS timing report
- illegal cutting line alarm
- ACC detection
- Support SMS query
- Intelligent anti-theft
- Cut and resume oil remotely
- Vibration/Displacement/Low battery/Power off/over speed alert

Tel: 0086-755-88832758 **Fax:** 0086-755-61624570 **Website:** www.qohovisions.com
Email: sales@qohocctv.com **Skype:** qohocctv : qohovisions

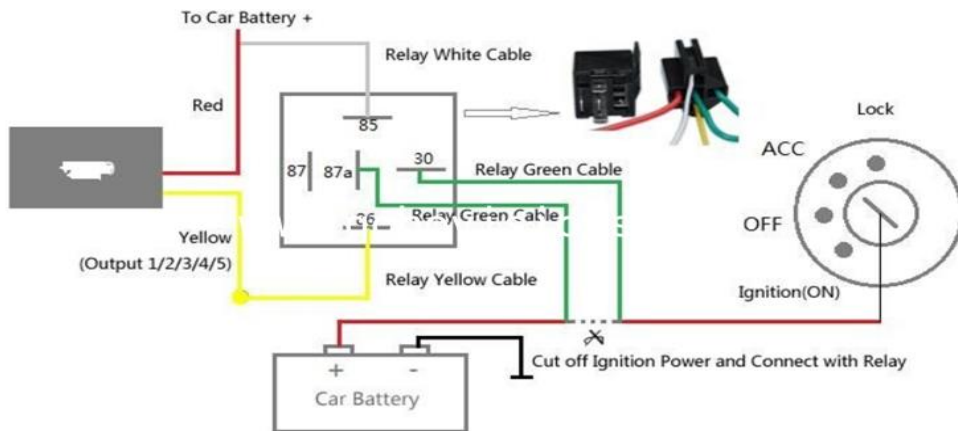
Factory Address: 12/F,C area, HuiLongDa Industrial Park,Shiyan street,
Baoan district,Shenzhen city, Guangdong province, China.





Specification

- Frequency WCDMA 900/2100MHz (3G version support)
- GSM 850/900/1800/1900MHz
- Networks WCDMA/GSM/GPRS
- Backup Battery 3.7V 370mAh
- Operating voltage 10-75V
- Location time Cold start 35s-80s
- Location accuracy 5 meters
- Operating temperature -20°C~+55°C
- Dimension 68*40*20mm (2G version)
- 75*40*12mm (3G version)
- Weight 90g (2G version)
- 39.5g (3G version)



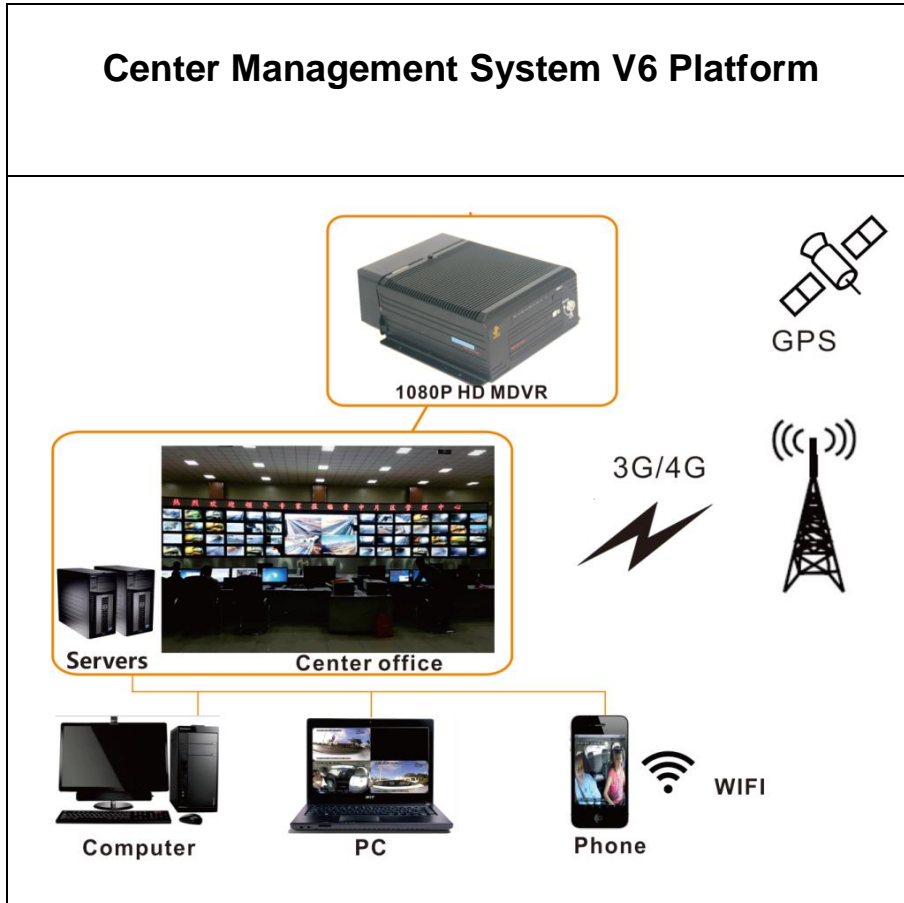
Tel: 0086-755-88832758 Fax: 0086-755-61624570 Website: www.qohovisions.com
Email: sales@qohocctv.com Skype: qohocctv : qohovisions

Factory Address: 12/F,C area, HuiLongDa Industrial Park,Shiyan street,
Baoan district,Shenzhen city, Guangdong province, China.





This Product can work with:



Tel: 0086-755-88832758 **Fax:** 0086-755-61624570 **Website:** www.qohovisions.com
Email: sales@qohocctv.com **Skype:** qohocctv : qohovisions

Factory Address: 12/F,C area, HuiLongDa Industrial Park,Shiyan street,
Baoan district,Shenzhen city, Guangdong province, China.

