

1 channel 1080P Road Safety IP Camera Mobile NVR



QH-MDVR8102

Key Features

- 110-degree wide view Road safety view ; 1080P IP camera design;
- 1. H.265 compression code Adopt HI silicon high-performance processor.
- 2. Industrial Grade Design;
- 3. Support to connect with equipment with mobile phone through WIFI;
- 4. Support remote live view in real-time;
- 5. Support to set parameters via mobile phone;
- 6. Support 2-ch 1080P camera, one is built-in for front road view, another is an external camera that connects with the outside camera/back view/wide view inside;
- 7. Support Bluetooth (as optional), can be intercom voice talking at the center.
- 8. Support WIFI, Bluetooth, mobile network automatic switch;
- 9. 8~36V wide voltage;
- 10. Support various transmission quality options;
- 11. Support two SD cards, maximum support 256GB;
- 12. Support Management software of center management platform (CMS);
- 13. Support iPad, iPhone, Android, and PC to remote view in real-time.

Tel: 0086-755-88832758 **Fax:** 0086-755-61624570 **Website:** www.qohovisions.com
Email: sales@qohocctv.com **Skype:** qohocctv : qohovisions

Factory Address: 12/F,C area, HuiLongDa Industrial Park,Shiyan street,
Baoan district,Shenzhen city, Guangdong province, China.





Specification

Model		QH-MDVR8102
Industrial design		Smart style, can adsorbed on windows glass of all kinds of vehicles.
GUI		Mobile phone software achieves to set device parameters.
Language		Chinese, English, or others (can be customized)
Security		User password management
Video & Preview	Video input	2 channel 1080P video input, 1 channel is built-in, channel 2 is external IPC input.
	OSD	Connect with monitor, Overlays letters... like date & time information and vehicle ID on video streaming
	Video compression	H.265 compression code, Adopt HI silicon high-performance processor.
	Dual-stream	Support
	Resolution	Default 1080P, 720P/ D1 optional
	Video Bitrate	1080P: 2Mbps ~ 6Mbps, 4 levels are optional. D1: 1000kbps ~ 2Mbps, 4 levels are optional.
	Preview function	Mobile phone software support preview function
Audio	Audio input	MIC input, Bluetooth input.
	Audio output	Bluetooth output
	Compression	G.726 G.711
Video recording	Storage	SD card, support max 256GB
	File format/system	H.265/FAT32
	Recording Mode	Default auto-recording after power on, support manual recording
	Video record Search	Local not support, mobile phone software support to search in accordance with date, time and type, etc....
	Video playback	Local no playback, support mobile phone software to play, pause, forward, and backward at the speed of x2, x4, x8, x16, support playback of the file by time.

Tel: 0086-755-88832758 **Fax:** 0086-755-61624570 **Website:** www.qohovisions.com

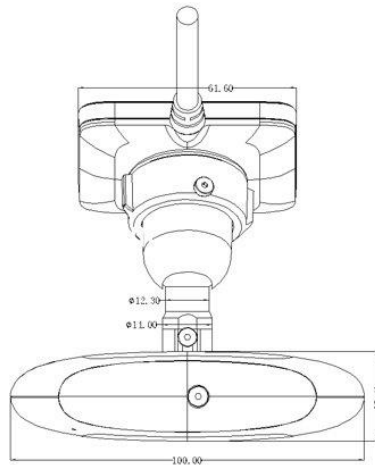
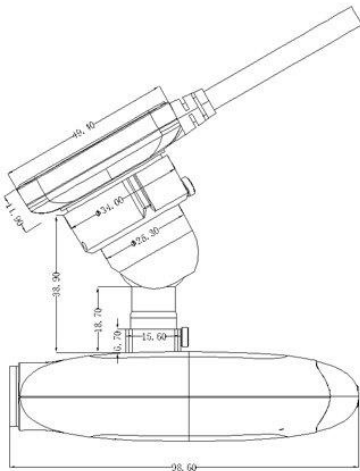
Email: sales@qohocctv.com **Skype:** qohocctv : qohovisions

Factory Address: 12/F,C area, HuiLongDa Industrial Park, Shiyan street, Baoan district, Shenzhen city, Guangdong province, China.





Wireless transmission	Built-in 4G wireless transmission module FDD-LTE/WCDMA, TD-LTE, FDD-CTLTE optional.	
	Compatible GPRS, EDGE;	
	Support for downward compatibility with 3G (optional)	
	Built-in WIFI;	
Built-in Bluetooth		
GPS	Built-in GPS or Beido (optional)	
System upgrading	Support SD card to upgrade	
External interface	CVBS output, 2-ch alarm input, 1-ch alarm output, 100M Ethernet port	
Power and consumption	Power management	ACC on/off device, Timing switches ON/OFF
	Battery capacity	Support to work with UPS, work 30 minutes after power off.
	Charging time	< 20 minutes
	Working time	>30 minutes
Working environment	Operation temperature	-20°C ~ +85°C
	Humidity	10% to 95%
Dimension	Mainbod	100Wx95hx25Dmm
Weight	1.18 Kg	



Tel: 0086-755-88832758 **Fax:** 0086-755-61624570 **Website:** www.qohovisions.com
Email: sales@qohocctv.com **Skype:** qohocctv : qohovisions

Factory Address: 12/F,C area, HuiLongDa Industrial Park,Shiyan street, Baoan district,Shenzhen city, Guangdong province, China.





This Product can work with:

IP Side Camera	1080P Car reverse camera	CMS Software	24pcs LED IP Camera
 A black, dome-shaped IP side camera with a lens and a small display on the front.	 A black, rectangular car reverse camera with a lens and several small LEDs on the front.	 A screenshot of a CMS software interface showing multiple camera feeds and a map.	 A black, dome-shaped IP camera with 24 LEDs around the lens.

Tel: 0086-755-88832758 **Fax:** 0086-755-61624570 **Website:** www.qohovisions.com
Email: sales@qohocctv.com **Skype:** qohocctv : qohovisions

Factory Address: 12/F,C area, HuiLongDa Industrial Park,Shiyan street,
Baoan district,Shenzhen city, Guangdong province, China.

