

## 8-CH 1080P HD AHD HDD Mobile DVR



**QH-MDVR8208**

## Key Features

- H.264 high profile. Industrial good vibration absorber and heat-dissipated level design.
- Set all menu via WIFI with iPad/iPhone/Android and PC.
- Mirror function set on the MDVR menu directly.
- Connect acceleration sensor, temperature sensor, oil/fuel sensor. Control panel, LED panel, Counter camera, Oxygen sensor and other peripherals through RS232/RS485 interface.
- With aviation connector, stable and reliable;
- Special interface for mobile DVR, convenient for transportation and installation.
- Support speed, turn, brake, reversing, door opening and closing.
- Support 8-CH 1080P/720P/960H/D1/HD1/CIF; 4CH audio& video.
- Support G-sensor, Geo-fence, GPS, 3G/4G, WIFI (faster and more stable) for optional.
- Support Vehicle PTZ local and remote control, Support USB interface, support firebox as mirror backup.
- Support max 2.5-inch 2TB HDD/SSD and 1 SD card dual storage.
- DC8V~36V wide voltage supply, aluminum housing, low power consumption.
- Power off can work 8 seconds and 1~2 hour with UPS battery.
- Product size:199x76x190mm.

**Tel:** 0086-755-88832758 **Fax:** 0086-755-61624570 **Website:** www.qohovisions.com  
**Email:** sales@qohocctv.com **Skype:** qohocctv : qohovisions

**Factory Address:** 12/F,C area, HuiLongDa Industrial Park,Shiyan street,  
Baoan district,Shenzhen city, Guangdong province, China.





# Specification

	Language	English / Chinese/Hungary/others optional
	Operation Interface	Graphical menu operation interface (OSD menu)
	Password security	Permissions setting of administrator & user
Video	Video input	Support 8 channels CIF/HD1/D1/960H/720P/1080P AHD camera Video input
		Support 8-CH1080P/720P AHD or 4-CH 960H analog mixing Video input
	Video output	2 channels (IO cable extension, 1 in the 24pin connector)
	Video display	Single picture, 1~4 pictures
	Signal system	PAL / NTSC ( PAL@100 frame 720P/sec; NTSC@120 frame 720P/sec )
	Image compression	H.264 Main profile
Audio	Audio input	8 channels
	Audio output	1 channel (1 in the 24pin connector)
	Record format	Synchronize ed video & audio recording
Recording Storage	Image resolution	CIF / HD1 / D1 / 960H / 720P/1080P optional
	Video coding	ISO14496-10
	Video bit rate	CIF: 1536Kbps ~ 128Kbps,
		HD1/D1: 2048Kbps ~ 400Kbps,
		960H: 2048Kbps ~ 400Kbps,
		720P/1080P: 4096Kbps ~ 400Kbps
		8 grades of image quality optional, Grade1 as best, Grade8 as lowest
	Audio bit rate	8k/bps
Storage	Up to 2TB HDD/SSD and 1 SD card for backup (at 3G/4G model option)	

**Tel:** 0086-755-88832758    **Fax:** 0086-755-61624570    **Website:** www.qohovisions.com  
**Email:** sales@qohocctv.com    **Skype:** qohocctv : qohovisions

**Factory Address:** 12/F,C area, HuiLongDa Industrial Park,Shiyan street,  
 Baoan district,Shenzhen city, Guangdong province, China.





Alarm	Alarm input	8 channels, alarm activated by low voltage (<1V) or high voltage (> 5V)
	Alarm output	1 channel, 12V output
Communication Ports	RS485	RS485x2
	RS232	RS232x2
	RJ45 network	1 x RJ45
	USB	2 x USB 2.0 ports, the front panel one to download video files & upgrade firmware; the back panel one is as mirror to backup recording, it can connect firebox.
Wireless Communication	3G	3G wireless transmission module, WCDMA, CDMA2000, TD-SCDMA system optional (optional), Compatible with GPRS, EDGE;
	4G	Built-in 4G(TDD-LTE / FDD-LTE) module optional
	Wi-Fi	Built-in Wi-Fi optional
GPS	Built-in GPS module. Real-time geographic coordinates, speed information	
G-Sensor	Built-in G-Sensor	
Software	PC playback	Video files playback in PC with analysis of the vehicle status
	CMSV6	Wireless real-time video & audio monitoring, GPS, alarms, etc.
Software Upgrade	Upgrade through the front USB2.0 & hard disk	
<b>Electric Spec</b>		
Voltage Input	+8~+36V	8V~ 36V (please to ensure of safe voltage of vehicle before use; operation over 36V for long time will cause damage to the MDVR)
Voltage Output	12V	12V(+/-0.2V),Max 3A
ACC Detection	≤4V	power-on
	≥5V	power-off

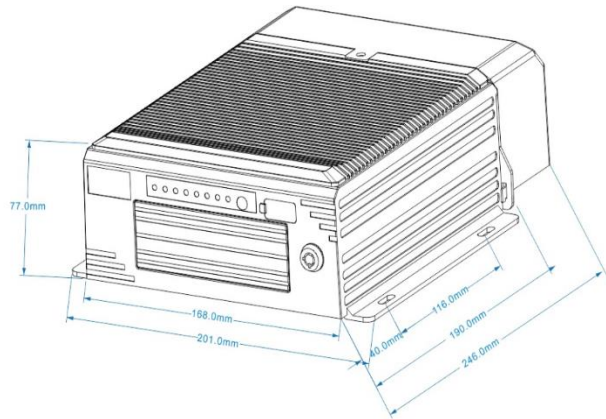
Tel: 0086-755-88832758    Fax: 0086-755-61624570    Website: www.qohovisions.com  
 Email: sales@qohocctv.com    Skype: qohocctv : qohovisions

**Factory Address:** 12/F,C area, HuiLongDa Industrial Park,Shiyan street, Baoan district,Shenzhen city, Guangdong province, China.





Video Input Resistance	75Ω	75Ω at each video input resistance
Video Output Voltage	2Vp-p	2VP-P CVBS output analog signal, screen input requires resistanc 75Ω
I / O port	<1V	low voltage alarm
	>5V	high voltage alarm
Operation Temperature	-40°C~80°C	at draughty environment
Dimension	199(W)mm x 76(H) x 190(L)mm	



**This Product can work with:**

CMS Software	7inch Quad Monitor	ADAS Camera	1080P High-resolution side camera

Tel: 0086-755-88832758    Fax: 0086-755-61624570    Website: [www.qohovisions.com](http://www.qohovisions.com)  
 Email: [sales@qohocctv.com](mailto:sales@qohocctv.com)    Skype: qohocctv : qohovisions

**Factory Address:** 12/F,C area, HuiLongDa Industrial Park,Shiyan street, Baoan district,Shenzhen city, Guangdong province, China.

