

1080P AHD Waterproof 180-degree wide view rear camera



**QH-MC003HP**

## Key Features

Wide-angle distortion-free HD camera 1080P  
Use 1/2.7" color CMOS to capture moving images  
Support coaxial high-definition output, clear and delicate images  
Illumination, 0.01 Lux / F2.0  
Full-color switching, realizing day and night monitoring  
Support digital wide dynamic, automatic protection against over-voltage;  
Adaptive digital noise reduction, 2D-DNR  
Support UTC function,  
Using high temperature resistant metal shell, easy and simple first-line installation

**Tel:** 0086-755-88832758    **Fax:** 0086-755-61624570    **Website:** www.qohovisions.com  
**Email:** sales@qohocctv.com    **Skype:** qohocctv : qohovisions

**Factory Address:** 12/F,C area, HuiLongDa Industrial Park,Shiyan street,  
Baoan district,Shenzhen city, Guangdong province, China.





## Specification

<b>Model</b>	<b>QH-MC003HP</b>
Imaging device	1/2.7 Color CMOS
Program	SONY377+ distortion
Effective Pixels	1980(H)x1080(V)
signal system	50HZ
Minimum illumination	0.01Lux (color illuminance), F1.2
Shutter speed	1/50 second-1/100000 second
Day and night conversion mode	Switch IR-Cut day and night
dynamic	Digital dynamics
BLC	stand by
Infrared distance IR pickup	no
Day and night switch IR-Cut	no
Interface Type	M12
aperture	Fixed aperture
Lens (1080P HD)	Full glass waterproof/Horizontal 182°Vertical L:135°
Maximum image size	1280(H)x1080(V)
Frame rate	1080P@30FPS+VGA@30fps
Signal output	AHD
temperature humidity	-20°C~+70°C 0-95
power supply	12V (wide voltage 9v-15v)
waterproof level	IP68
Power (12v)	<4w
Video output interface	1.0Vp-p composite video output, 75 ohm, 4pin aviation cable
Operating Voltage	12V
Temperature measurement distance	1M~5M
range of working temperature	-20~+70°C
Storage conditions	-20°C~+80°C, relative humidity≤75% RH
Size	47.8*45.5*63.5

**Tel:** 0086-755-88832758    **Fax:** 0086-755-61624570    **Website:** www.qohovisions.com

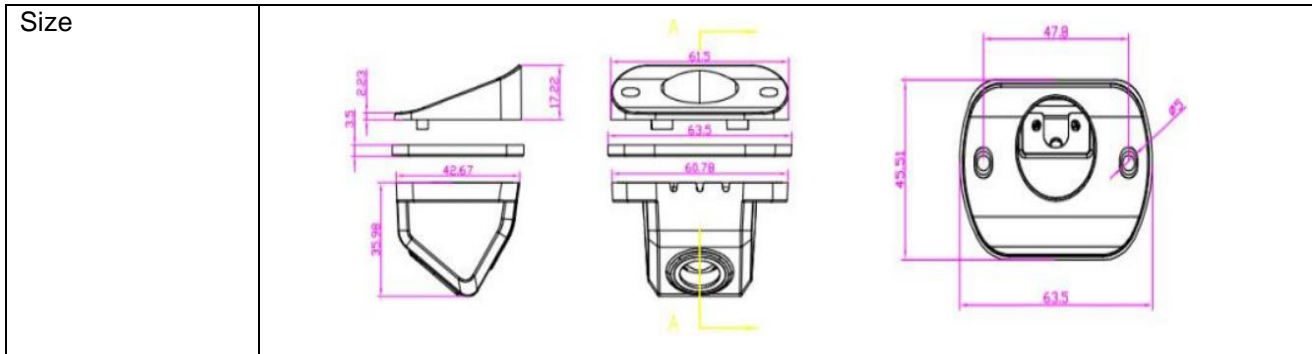
**Email:** sales@qohocctv.com    **Skype:** qohocctv : qohovisions

**Factory Address:** 12/F,C area, HuiLongDa Industrial Park,Shiyan street, Baoan district,Shenzhen city, Guangdong province, China.





# Product Size



This camera can work with:

4ch Dual Micro-SD card Car DVR	4ch 1080P single SD card MDVR	8ch 720P HDD Mobile DVR	4ch 1080P Dual SD card Mobile DVR
			

Tel: 0086-755-88832758 Fax: 0086-755-61624570 Website: [www.qohovisions.com](http://www.qohovisions.com)

Email: [sales@qohocctv.com](mailto:sales@qohocctv.com) Skype: qohocctv : qohovisions

Factory Address: 12/F,C area, HuiLongDa Industrial Park,Shiyan street, Baoan district,Shenzhen city, Guangdong province, China.

